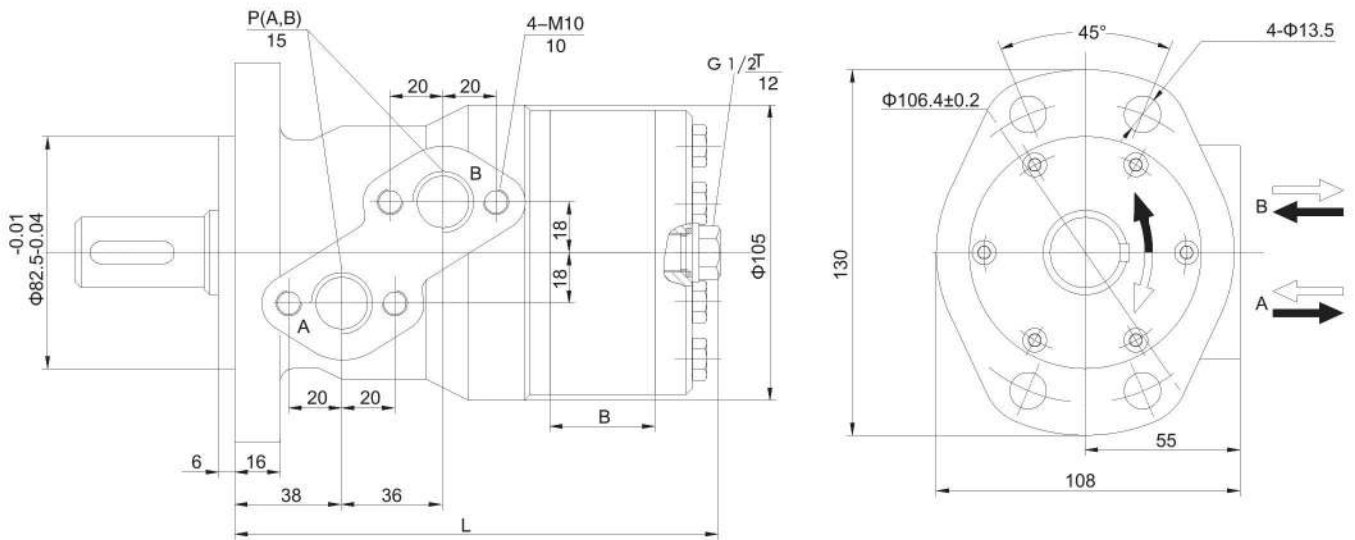




TECHNICAL DATA

Product	Displacement	Max. Flow	Pressure
	cm ³	l/min	bar
BMR050C25AG	50	40	140
BMR080C25AG	80	60	140
BMR100C25AG	100	60	140
BMR125C25AG	125	60	140
BMR125C32AG	125	60	140
BMR160C25AG	160	60	140
BMR160C32AG	160	60	140
BMR200C25AG	200	60	140
BMR250C25AG	250	60	110
BMR315C25AG	315	60	90
BMR400C25AG	400	60	70



Product	L	B
BMR050C25AG	139	9
BMR080C25AG	144	14
BMR100C25AG	148	18
BMR125C25AG	152	22
BMR125C32AG	152	22
BMR160C25AG	158	28
BMR160C32AG	158	28
BMR200C25AG	165	35
BMR250C25AG	174	44
BMR315C25AG	186	56
BMR400C25AG	200	70

